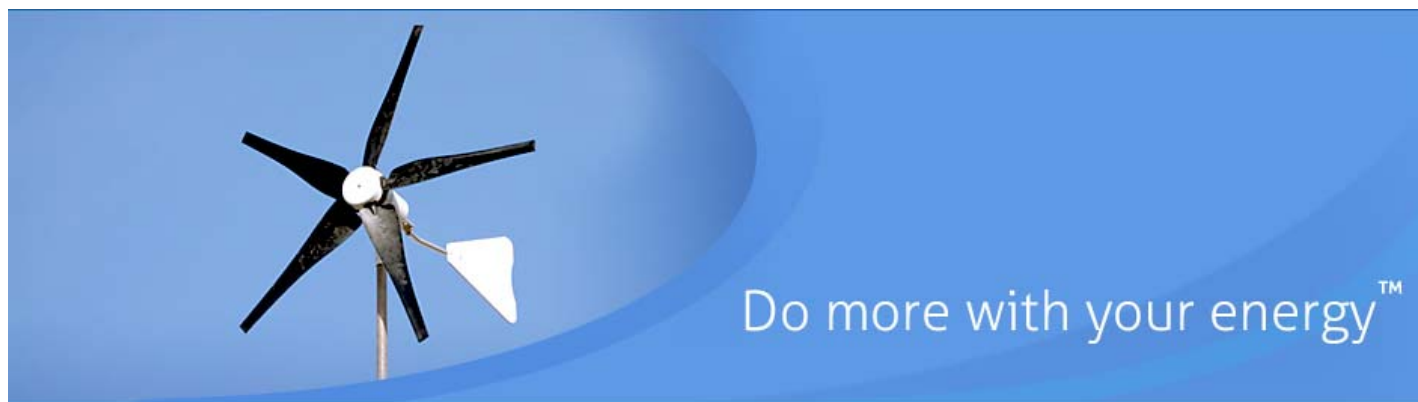


[Power Shop](#)  
[Newsroom](#)  
[Partners](#)  
[Solutions](#)  
[Technology Gateway](#)  
[Company](#)

## Nextek Power Systems

- [Home](#)
- [Nextek Blog](#)
- [Contact](#)
- [Support](#)
- [Login](#)



- [Monitoring System](#)
- [Spec. Sheets](#)
- [Installation Guides](#)
- [Listing and Approvals](#)

### Product Links

- [75Kw Gateway for Power](#)
- [NPS-1000 - Nextek Power Module](#)
- [High-Efficiency DC Ballasts](#)
- [String Combiner / MPPT](#)
- [Lighting System Monitor Demo](#)
- [Air Handling Monitor Demo](#)

#### String Combiners / MPPT

##### NPS-902

- 2 Kw String Combiner / MPPT Tracker
- The NPS-902 houses two 1kW NPS-R1000 MPPT solar regulators, and routes power from up to eight solar panel strings to two NPS-1000 Power Gateways for a maximum of 2000 Watts of solar power.
- The NPS-902 provides a simple method to connect solar panels to four NPS-1000 Power Gateways.

##### NPS-904

- 2 Kw String Combiner / MPPT Tracker
- The NPS-904 houses up to four 1kW NPS-R1000 MPPT solar regulators, and routes power from up to sixteen solar panel strings to up to four NPS-1000 Power Gateways for a maximum of 4000 Watts of solar power.
- The NPS-904 provides a simple method to connect solar panels to four NPS-1000 Power Gateways.

- Two NPS-R1000 MPPT solar regulators maintain PV voltage for optimum power output under the varying conditions of solar irradiance and temperature.
- Eight 6A, DC rated fused inputs accept 4.5 amps each for a total of 36 amps from PV arrays. The fuses provide 125% overload capacity as required by the NEC.
- Output power is distributed to the NPS-1000 Power Gateways through two 25 amp circuit breakers, which are ganged together to form a single disconnect.
- A single-point connection to ground is made at the backplane, which ties all positive PV inputs together.
- The NEMA 4, 12 enclosure may be mounted horizontally or vertically.

• **NPS-902 Specifications:**

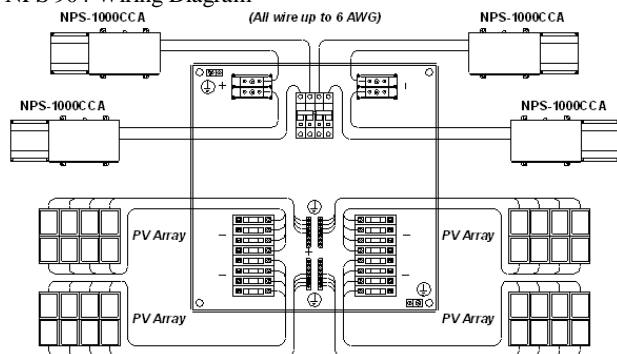
- Power (Max.): 2000W
- Output Circuits: 2 (1000W each)
- PV Input Current: 36A (8 x 4.5A)
- PV Input voltage (Max.): 95VDC
- MPPT Tracking Range: 54 to 70VDC
- PV Output Voltage (Max.): 57.5VDC
- Environmental: NEMA 4, 12
- Weight: 35 lbs.
- Shipping Weight: 40 lbs.
- Size: 20 x 12 x 8?
- Shipping Size: 22 x 22 x 10?

- Four NPS-R1000 MPPT solar regulators maintain PV voltage for optimum power output under the varying conditions of solar irradiance and temperature.
- Sixteen 6A, DC rated fused inputs accept 4.5 amps each for a total of 72 amps from PV arrays. The fuses provide 125% overload capacity as required by the NEC.
- Output power is distributed to the NPS-1000 Power Gateways through four 25 amp circuit breakers, which are ganged together to form a single disconnect.
- A single-point connection to ground is made at the backplane, which ties all positive PV inputs together.
- The NEMA 4, 12 enclosure may be mounted horizontally or vertically.

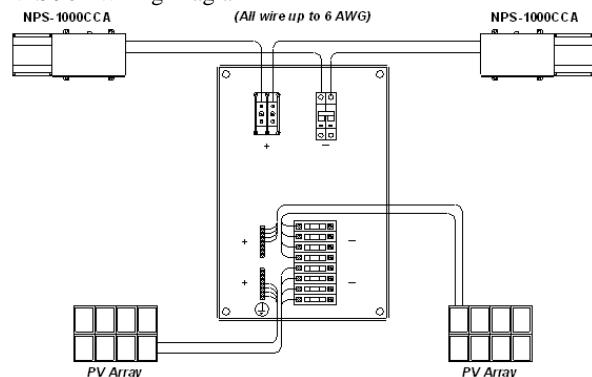
• **NPS-904 Specifications:**

- Power (Max.): 4000W
- Output Circuits: 4 (1000W each)
- PV Input Current: 72A (16 x 4.5A)
- PV Input voltage (Max.): 95VDC
- MPPT Tracking Range: 54 to 70VDC
- PV Output Voltage (Max.): 57.5VDC
- Environmental: NEMA 4, 12
- Weight: 50 lbs.
- Shipping Weight: 55 lbs.
- Size: 20 x 20 x 8?
- Shipping Size: 22 x 22 x 10?

NPS 904 Wiring Diagram



NPS 902 Wiring Diagram



- Copyright 2009 Nextek Power
- Designed by [Metaspring](#)